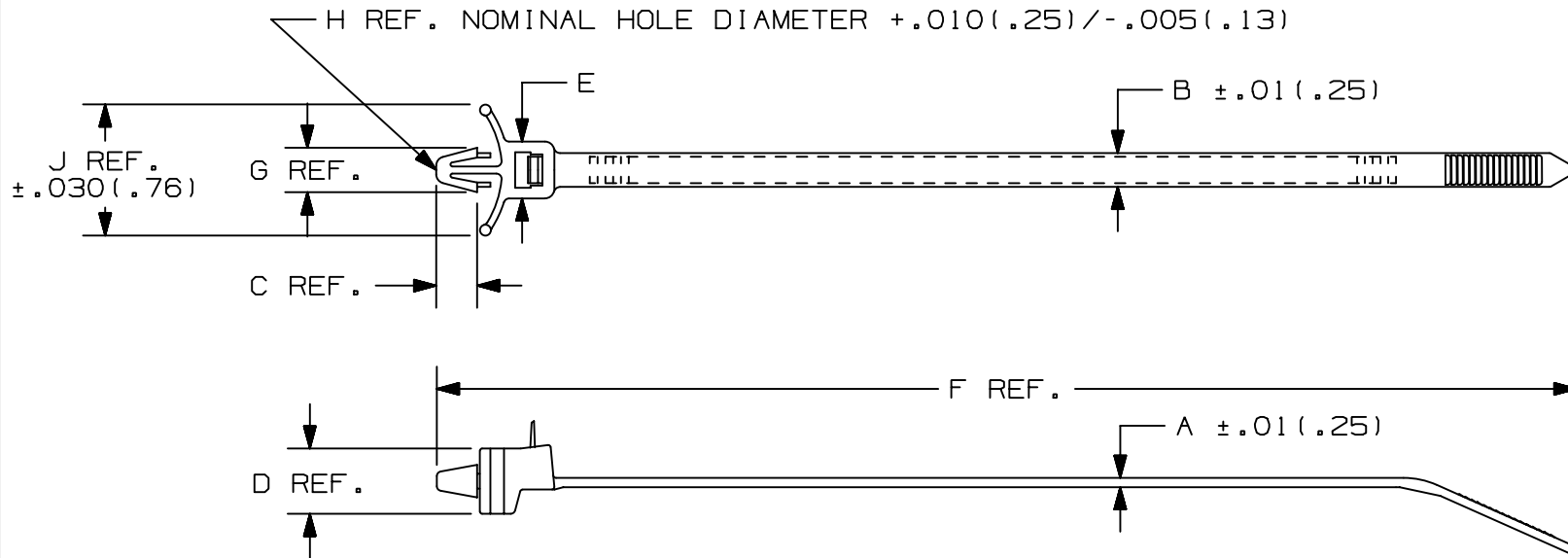


THIS COPY IS PROVIDED ON A RESTRICTED BASIS AND IS NOT TO BE USED IN ANY WAY DETRIMENTAL TO THE INTERESTS OF PANDUIT CORP.



PANDUIT PART NO.	BUNDLE DIA.		A	B	C	D	E	F	G	H	J	MAX. PANEL THICKNESS in (mm)	MIN. LOOP TENSILE lbs (N)	CROSS SECTION	WEIGHT 100 pcs lbs (g)
	MIN. in (mm)	MAX. in (mm)													
PRWP1SA	.06 (1.5)	1.0 (25.4)	.052 (1.3)	.190 (4.8)	.230 (5.8)	.370 (9.4)	.320 (8.1)	5.1 (130)	.240 (6.1)	.187 (4.7)	.74 (18.8)	.093 (2.4)	50 (222)	STANDARD	.29 (132)

NOTE: SEE CURRENT PRICE SHEET FOR PART NUMBER SUFFIX DESIGNATION FOR PACKAGE SIZE, MATERIAL AND PART COLOR.

DIMENSIONS IN PARENTHESES ARE IN METRIC UNITS

										<h1 style="margin: 0;">PANDUIT</h1> <p style="margin: 0;">CORP. TINLEY PARK, ILLINOIS</p> <p style="margin: 0;">RELEASABLE WING PUSH MOUNT TIE PRWP1SA</p>											
										<p>UNLESS OTHERWISE SPECIFIED, DIMENSIONAL TOLERANCES ARE: (.X) ± .1(2.5) (.XXX) ± .020(.51) (.XX) ± .02(.5) ANGLES: ---</p>						<p>UNLESS OTHERWISE SPECIFIED, ALL DIMENSIONS ARE GIVEN IN INCHES, THIRD ANGLE PROJECTION.</p>					
										<p>DRAWN BY WKS</p>			<p>MAT'L: SEE NOTE</p>			<p>SCALE FULL</p>					
										<p>DATE 11-3-87</p>			<p>DRAWING NO. SS-22193</p>			<p>DWG A SIZE</p>					
										<p>CHK'D HVP</p>											
8	1/19/04	JABO	CHANGED FORMAT FOR CONSISTENCY SEE ECN FOR DETAILS				22193	8													
REV	DATE	BY	CHK	DESCRIPTION			ECN	R	CUST	SUP											